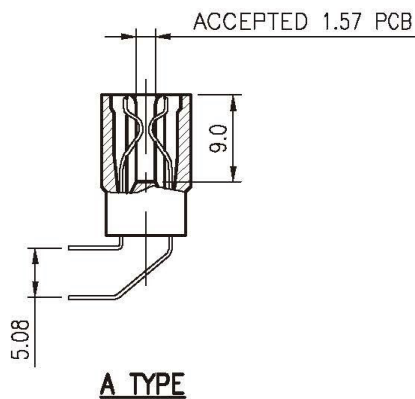
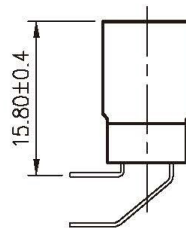


**RECOMMENDED PCB LAYOUT**  
Tolerance:  $\pm 0.05$



**NOTES:**

1. MATERIAL:
  - 1.1 HOUSING: HIGH TEMPERATURE THERMOPLASTIC, UL 94V-0, COLOR: BLACK.
  - 1.2 CONTACT: COPPER ALLOY.
2. FINISH:
  - 2.1 CONTACT: SELECTIVE GOLD PLATING ON CONTACT AREA. 100u" MIN. BRIGHT-TIN PLATING ON SOLDER TAIL AREA. 50u" MIN. NICKEL UNDERPLATING OVERALL.

**DIMENSION**

NO OF POS	DIM A	DIM B	DIM C	NO OF POS	DIM A	DIM B	DIM C
2X3=6	5.08	10.16	14.22	2X26=52	63.50	68.58	72.64
2X4=8	7.62	12.70	16.76	2X27=54	66.04	71.12	75.18
2X5=10	10.16	15.24	19.30	2X28=56	68.58	73.66	77.72
2X6=12	12.70	17.78	21.84	2X29=58	71.12	76.20	80.26
2X7=14	15.24	20.32	24.38	2X30=60	73.66	78.74	82.80
2X8=16	17.78	22.86	26.92	2X31=62	76.20	81.28	85.34
2X9=18	20.32	25.40	29.46	2X32=64	78.74	83.82	87.88
2X10=20	22.86	27.94	32.00	2X33=66	81.28	86.36	90.42
2X11=22	25.40	30.48	34.54	2X34=68	83.82	88.90	92.96
2X12=24	27.94	33.02	37.08	2X35=70	86.36	91.44	95.50
2X13=26	30.48	35.56	39.62	2X36=72	88.90	93.98	98.04
2X14=28	33.02	38.10	42.16	2X37=74	91.44	96.52	100.58
2X15=30	35.56	40.64	44.70	2X38=76	93.98	99.06	103.12
2X16=32	38.10	43.18	47.24	2X39=78	96.52	101.60	105.66
2X17=34	40.64	45.72	49.78	2X40=80	99.06	104.14	108.20
2X18=36	43.18	48.26	52.32	2X41=82	101.60	106.68	110.74
2X19=38	45.72	50.80	54.86	2X42=84	104.14	109.22	113.28
2X20=40	48.26	53.34	57.40	2X43=86	106.68	111.76	115.82
2X21=42	50.80	55.88	59.94	2X44=88	109.22	114.30	118.36
2X22=44	53.34	58.42	62.48	2X45=90	111.76	116.84	120.90
2X23=46	55.88	60.96	65.02	2X46=92	114.30	119.38	123.44
2X24=48	58.42	63.50	67.56	2X47=94	116.84	121.92	125.98
2X25=50	60.96	66.04	70.10	2X48=96	119.38	124.46	128.52

**All Connectors**

www.allconnectors.de info@allconnectors.de  
Tel.: 0049 711 7009503 Fax: 0049 711 7009504  
70794 Filderstadt - Germany Kettenerstr. 25

**RoHS Compliant**

DRAWING BY CY  
CHECKED BY GENIUS  
UNIT/mm SCALE 1:1  
DATE  
SIZE A4

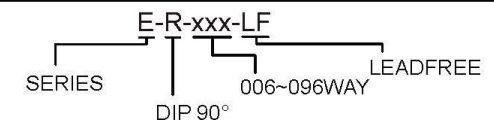
TOLERANCES ARE

X ± 0.40  
X ± 0.30  
.XX ± 0.20  
.XXX ± 0.10  
ANG ±

P PROJECTION



**ORDER INFORMATION**



**DESCRIPTION:** 2.54mm PITCH, RIGHT ANGLE CARDEDGE SLOT